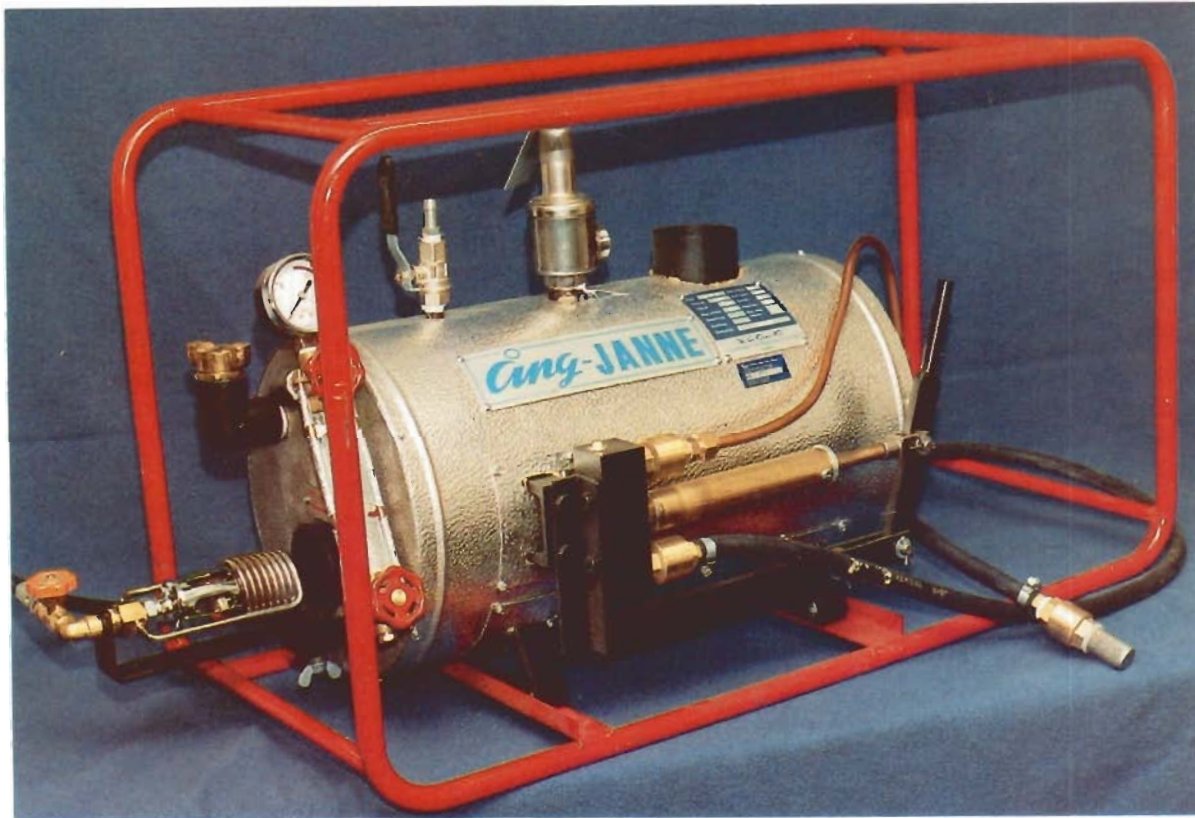


Steam-JOHNNY

Cing-JANNE



H-25-GH

STEAM JOHNNY

Steam Johnny is a propane gas-fired high pressure steam boiler for thawing road culverts and drains, water supply and sewer pipes, gutters and rainwater pipes, hordening of concrete steaming of tanks, sterilization, heating of PVC pipes and many other uses.

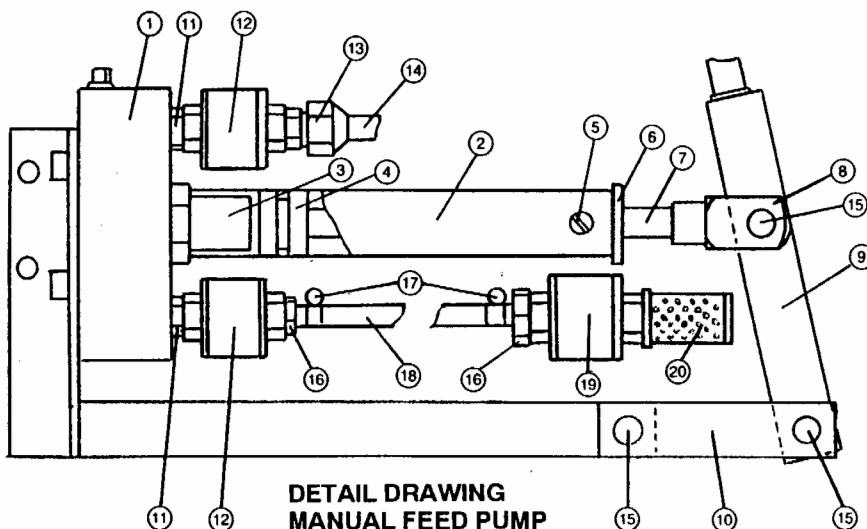
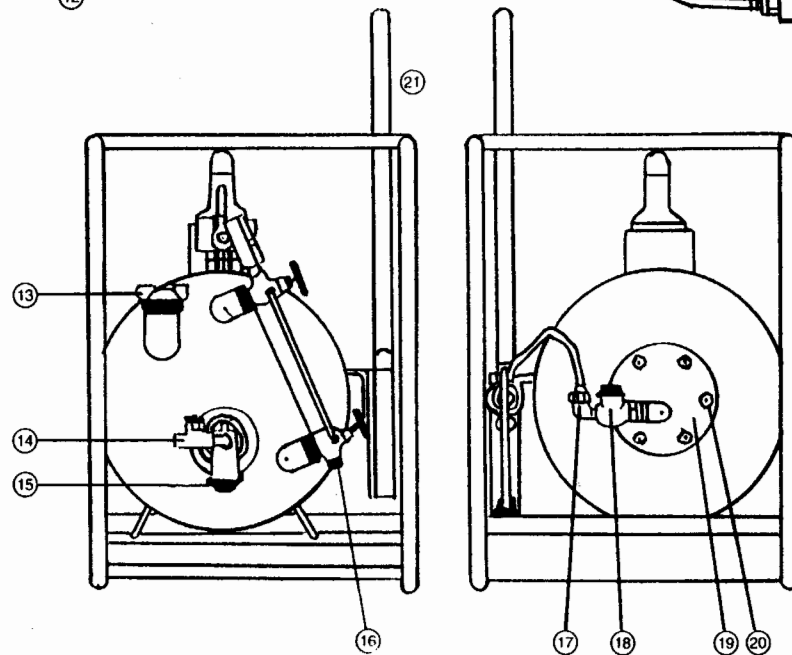
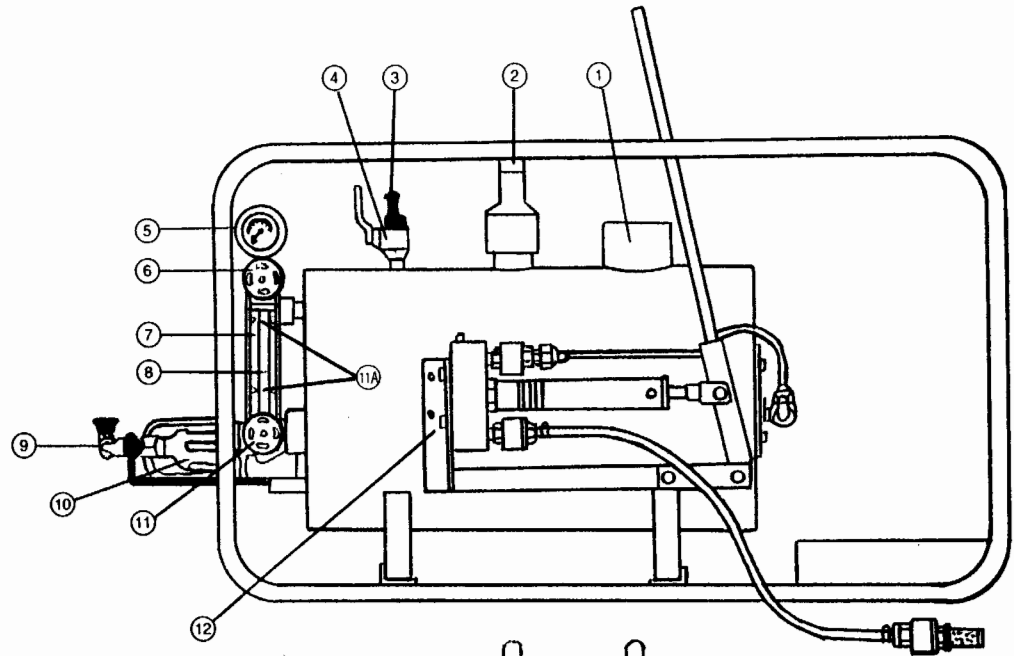
STEAM JOHNNY THE MIGHTY CHALLENGER

- Simple to use - propane fired.
- Takes 8 minutes to produce 100PSI. of steam.
- Easy to handle - weighs only 110 lbs.
- Can be put on a snowmobile, in the trunk of a car, a service van or a pick-up.
- High pressure allows use of up to 300 feet of hose.
- Dimensions:

Length	35"
Width	14½"
Height	20"
- Has its own hand pump to replenish water in the pressure vessel.
- Hose available in different lengths.
- Has a long life expectancy with low maintenance.

Steam Johnny Model H-25-GH

- 01 Exhaust pipe
- 02 Safety release 115lbs
- 03 Male quick coupler
- 04 Regulator valve
- 05 Pressure gauge
- 06 Upper water level valve
- 07 Protective casing with safety glass
- 08 Water level glass 175 X 10 w/packings
- 09 Liquid burner or gas burner w/ignition safety device
- 10 Vaporization coil liquid or gas burner
- 11 Lower water level valve
- 11A High & low water levels
- 12 Compl. manual feed pump, see spec.
- 13 Manual filling cap & packing
- 14 Propane shut off valve
- 15 Angle bracket burner
- 16 Cleaning plug
- 17 Hexagonal screw nut for airing of manual pump
- 18 Non-return valve w/ metal gasket conn. 10
- 19 Access for cleaning with packing
- 20 Bolt M10 X 25
- 21 Pump handle for manual pump



**DETAIL DRAWING
MANUAL FEED PUMP**

- 01 Pump housing
- 02 Pump cylinder
- 03 Control Pump piston
- 04 Pump piston
- 05 Lockable pump cap M6X8
- 06 Pump cap
- 07 Pump rod
- 08 Fork link
- 09 Toggle rod
- 10 Toggle links, 2
- 11 Nipple, conn.10, 2
- 12 Spring-loaded non-return valve, conn.10, 2
- 13 Joint for copper pipe 10 X 9.5
- 14 Copper pipe 9.5 mm X 450 mm
- 15 Pin w/split cotter and washer, 3
- 16 Hose coupling conn.10 X 10 mm
- 17 Hose clamp
- 18 Suction hose 1.5 m
- 19 Hose coupling conn.15 X 10 mm
- 20 Suction filter conn.15

Steam Johnny Model H-25-GH

Steam Johnny has been in continuous production since 1954 and is well known to municipal street, road and pipe network authorities, forestry industries, fire brigades, the Swedish Road administration, the Swedish State Railways, pipe manufacturing companies and all people engaged in rock blasting during the winter months.

The present model is the result of many years development and is extremely reliable. There have been over 5,000 steamers built. With reasonable care the Steam Johnny will give many years of trouble-free service.

ACCESSORIES

- Standard steam hose is 3/8" ID and can be supplied in lengths to suit individual needs.

- Stainless steel special hose is available in 8 mm ID. Nozzle diameter is 11 mm OD.
- Teflon hose interwoven with stainless steel, providing a smooth surface and suitable stiffness.
- Intended for thawing slender pipes.
- Supplied with pressed hose couplings for boiler and nozzle respectively.
- Standard lengths 50 ft or 80 ft.

Besides the propane powered units, electrically-heated steam boilers of sizes from 8 kg steam per hour to 300 kg steam per hour with working pressures from 15 PSI to 175 PSI are available.

Capacity of H-25-GH:
23 KG dry saturated
steam per hour = 15,000
KCAL.